

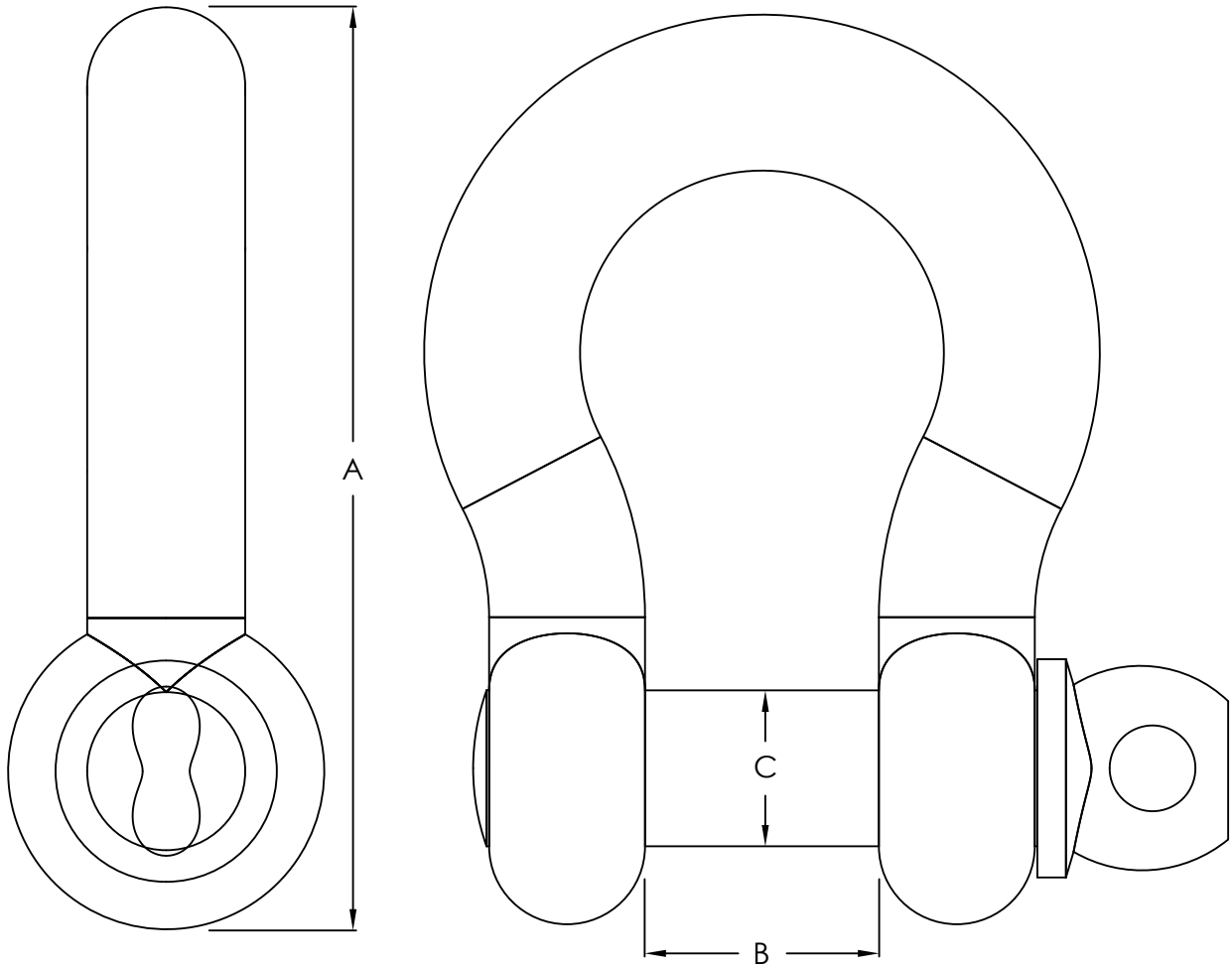
# 3/16" - 5/8" SHACKLES

MODELS: FPSS18SHACK, FPSS316SHACK, FPSS14SHACK,  
FPSS516SHACK, FPSS38SHACK, FPSS12SHACK



www.FloProProducts.com

SCREW PIN BOW SHACKLES TYPE-316 STAINLESS STEEL



	SIZE	A	B	C	SWL
<u>FPSS18SHACK</u>	3/16"	1.65	.40	.19	660 LBS
<u>FPSS316SHACK</u>	1/4"	1.82	.50	.35	700 LBS
<u>FPSS14SHACK</u>	5/16"	2.10	.59	.38	1000 LBS
<u>FPSS516SHACK</u>	3/8"	2.94	.86	.47	1500 LBS
<u>FPSS38SHACK</u>	1/2"	3.15	1.04	.50	3000 LBS
<u>FPSS12SHACK</u>	5/8"	4.50	1.36	.63	4000 LBS

MATERIAL COMPOSITION  
SHACKLES: 316 STAINLESS STEEL