

# 2", 3" & 4" TANK VENTS

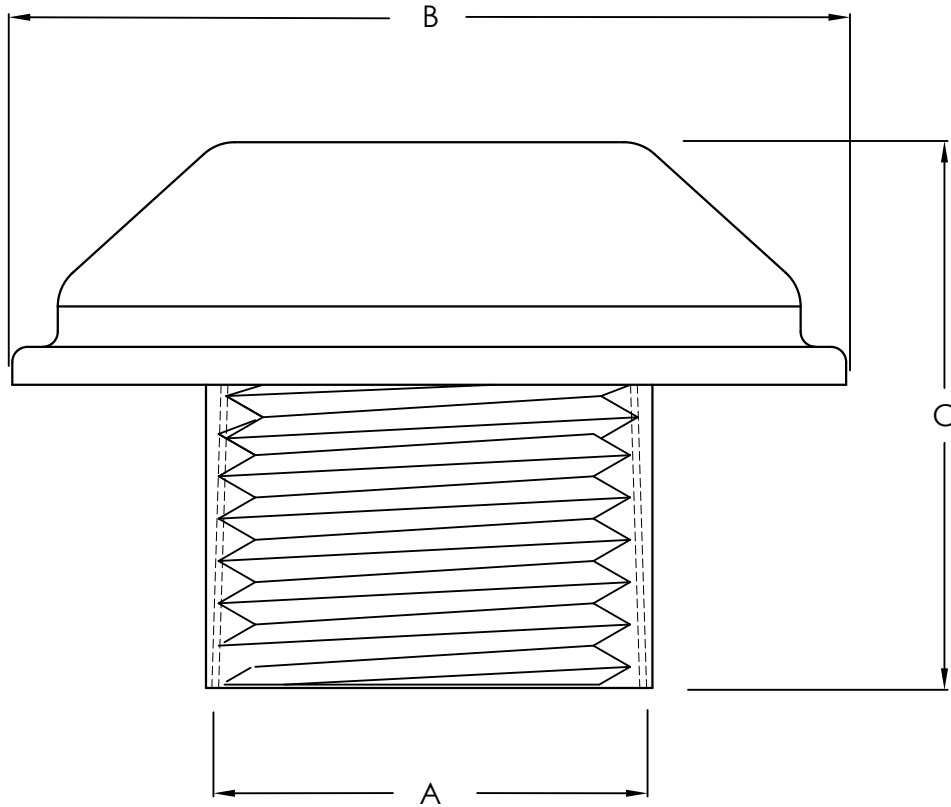
MODELS: FPTV2, FPTV3, FPTV4

KITS: FPTV2K, FPTV3K, FPTV4K



www.FloProProducts.com

TANK VENTS KIT: INCLUDES CLOSE NIPPLE, MOUNTING FLANGE, HARDWARE AND GASKET TAPE



	<u>FPTV2</u>	<u>FPTV3</u>	<u>FPTV4</u>
A	2"	3"	4"
B	4 5/8"	6 7/8"	9 1/4"
C	3 1/8"	4 1/2"	5"

## MATERIAL COMPOSITION

TANK VENT: MILD STEEL

CLOSE NIPPLE: SCH 40 PVC

MOUNTING FLANGE: PLASTIC REINFORCED FIBERGLASS

ALL HARDWARE IS 304 STAINLESS STEEL

SHIPPING WEIGHT: 1, 3 & 5 LBS