

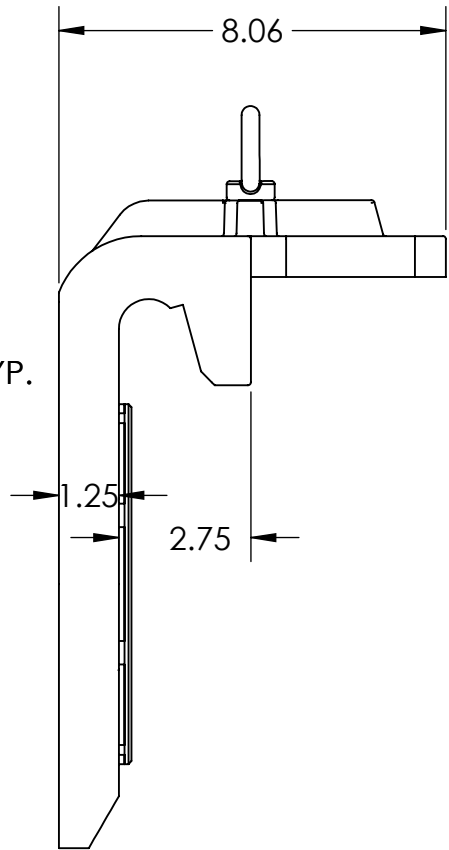
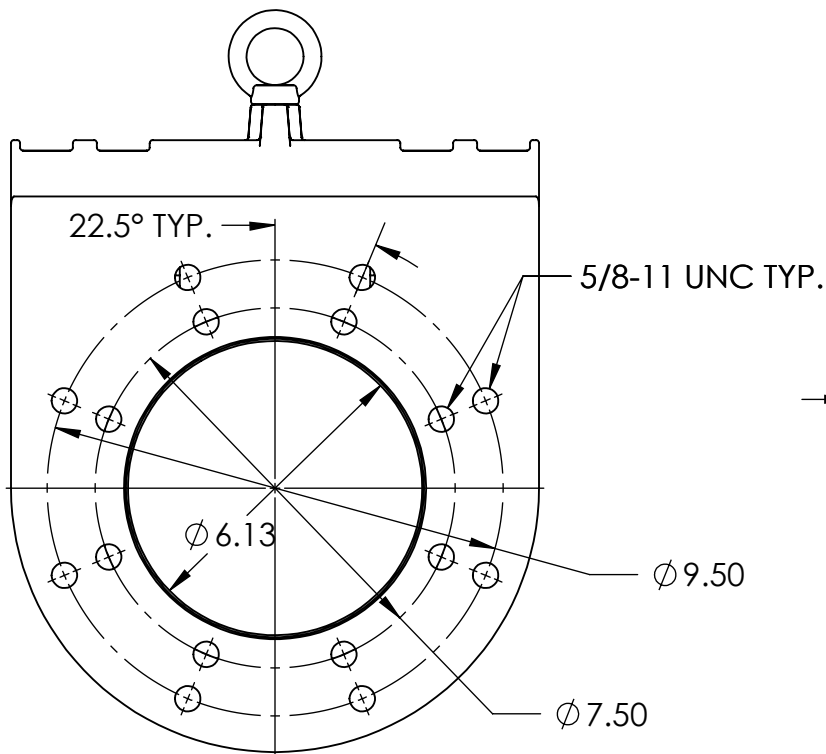
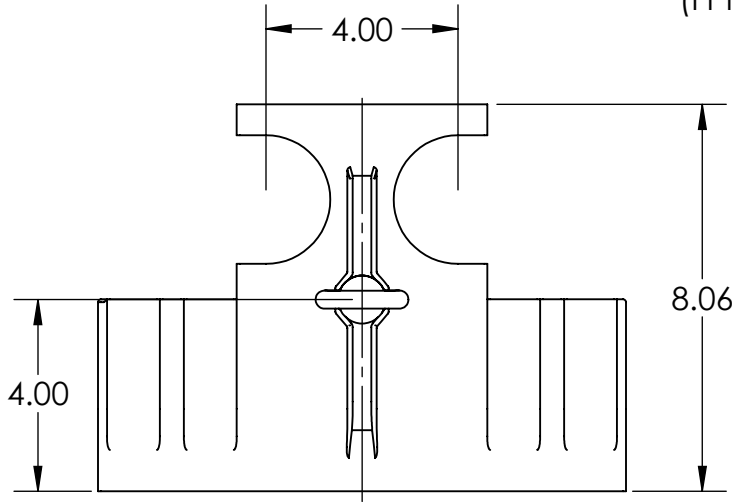
6" LIFT-OUT FLANGE



FPPF600

www.FloProProducts.com

LIFT-OUT FLANGE COMES STANDARD WITH STAINLESS STEEL SEALING RING FOR METAL-TO-METAL SEAL. THIS CAN BE REMOVED FOR A FULL FACE RUBBER SEALING GASKET (FPPG600 SOLID SEPARATELY)



MATERIAL COMPOSITION

LIFT-OUT FLANGE: 65-45-12 CAST DUCTILE IRON
SEALING RING: 304 STAINLESS STEEL
OPTIONAL FULL FACE GASKET: BUNA-N RUBBER
ALL HARDWARE IS 304 STAINLESS STEEL

REV: NOV. 2020