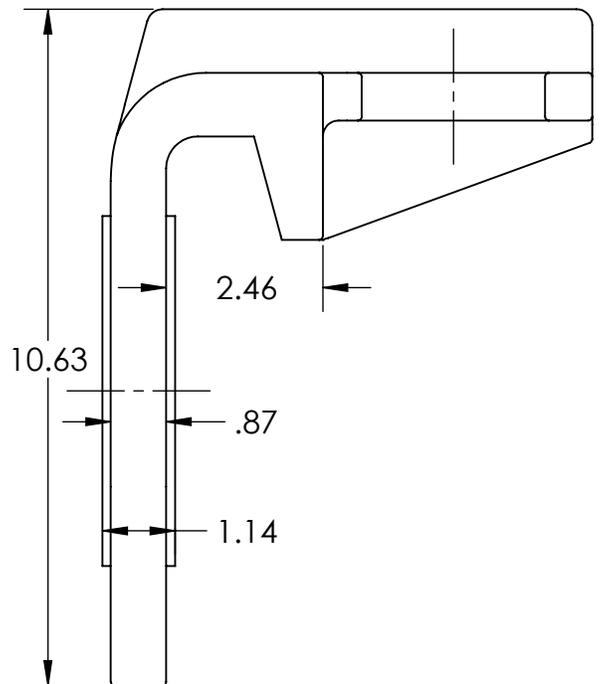
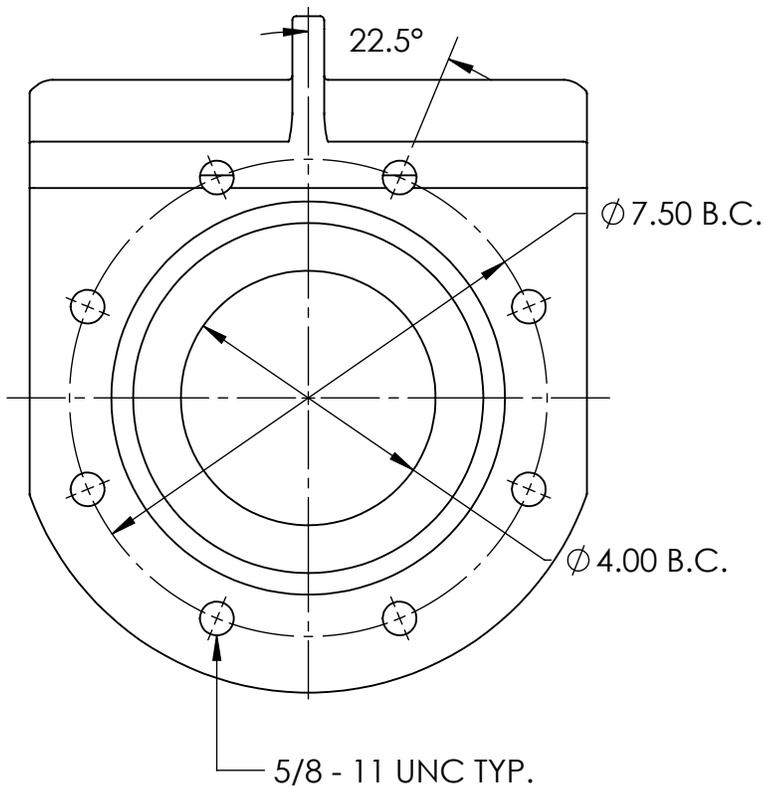
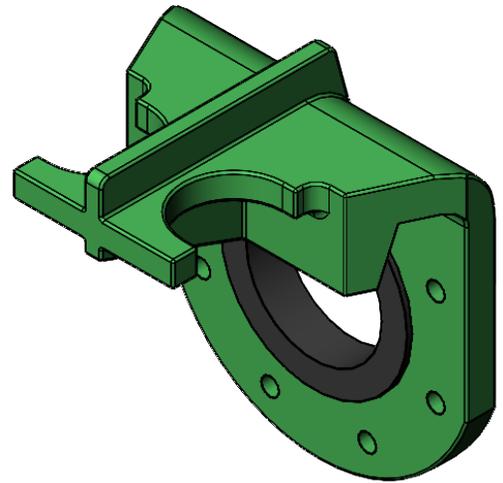
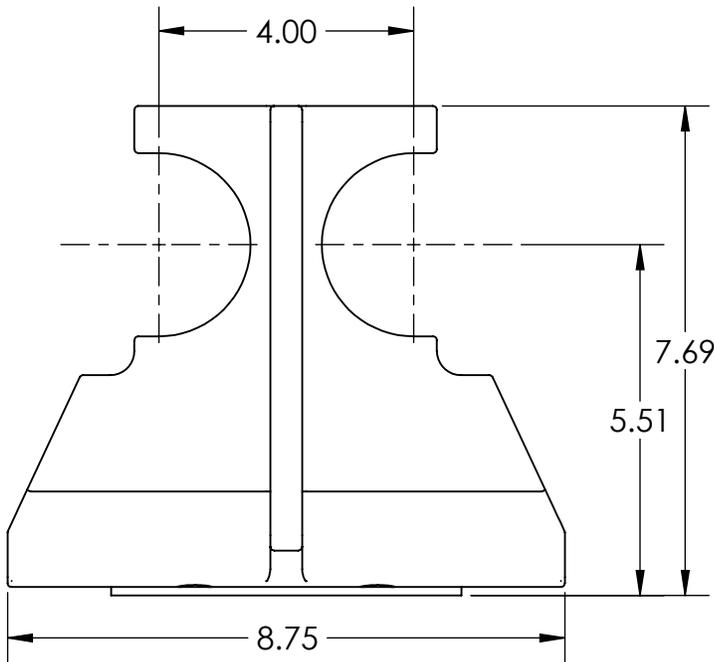


4" BPI LIFT-OUT FLANGE

FPPF400BP



www.FloProProducts.com



MATERIAL COMPOSITION

LIFT-OUT FLANGE: 65-45-12 CAST DUCTILE IRON
FULL FACE GASKET: NITRILE RUBBER

REV: NOV. 2021