

2" LIFT-OUT FLANGE

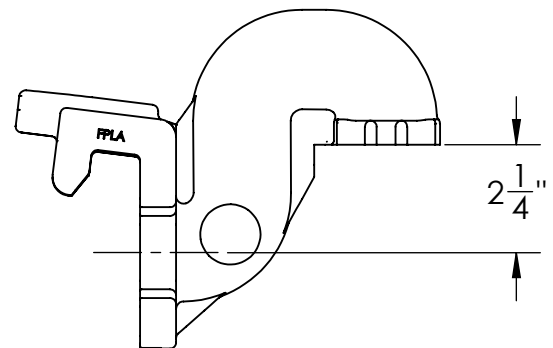
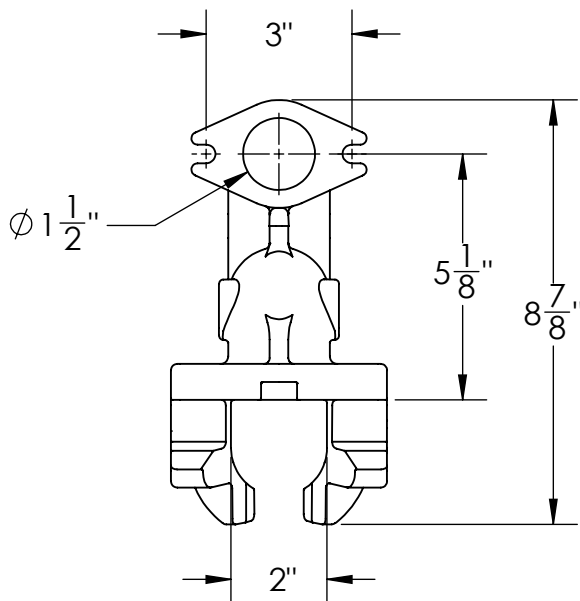
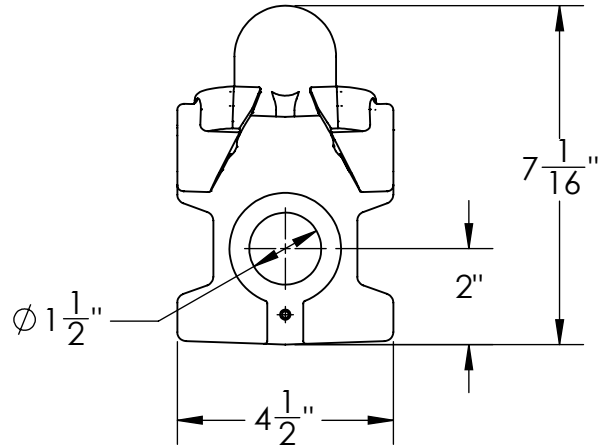
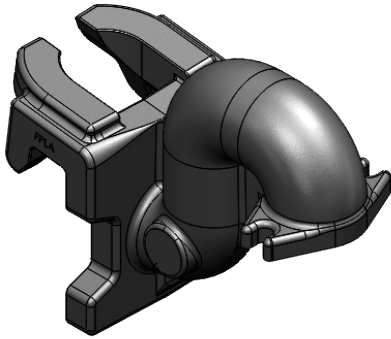


MODEL: FPPF200L

www.FloProProducts.com

LIFT-OUT FLANGE: SINGLE RAIL COMPATIBLE

LIFT-OUT FLANGE COMES STANDARD WITH BASE SEALING GROMMET AND PUMP DISCHARGE SEALING FLANGE



MATERIAL COMPOSITION
LIFT-OUT FLANGE: ASTM A48 CAST IRON
BASE GROMMET: NITRILE RUBBER
DISCHARGE GASKET:
ALL HARDWARE IS 304 STAINLESS STEEL

SHIPPING WEIGHT: 10 LBS

REV: JAN. 2020