

# 2" LIFT-OUT FLANGE

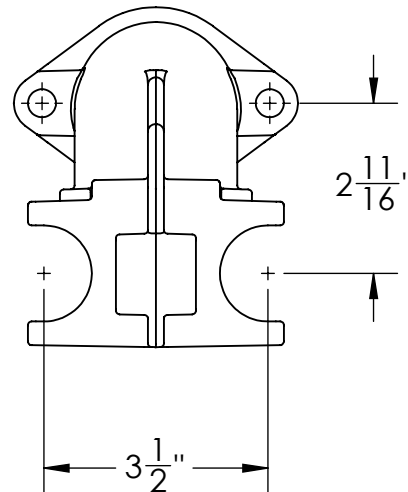
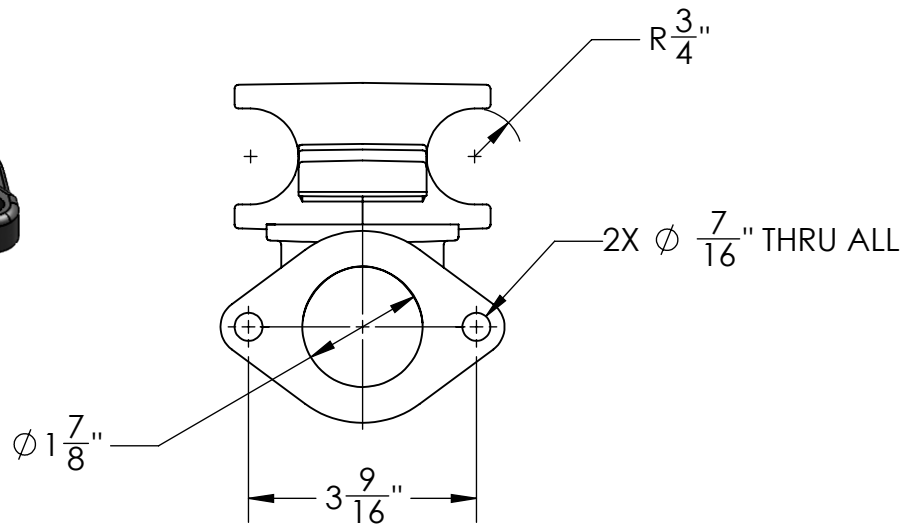
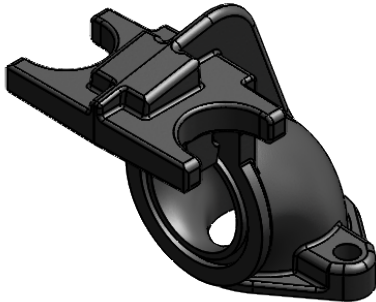


MODEL: FPPF200BP

www.FloProProducts.com

## LIFT-OUT FLANGE:

LIFT-OUT FLANGE COMES STANDARD WITH



### MATERIAL COMPOSITION

LIFT-OUT FLANGE: ASTM A536 DUCTILE IRON 65-45-12

SEALING GASKET:

O-RING: NITRILE RUBBER

SHIPPING WEIGHT: 4 LBS

REV: JAN. 2020