

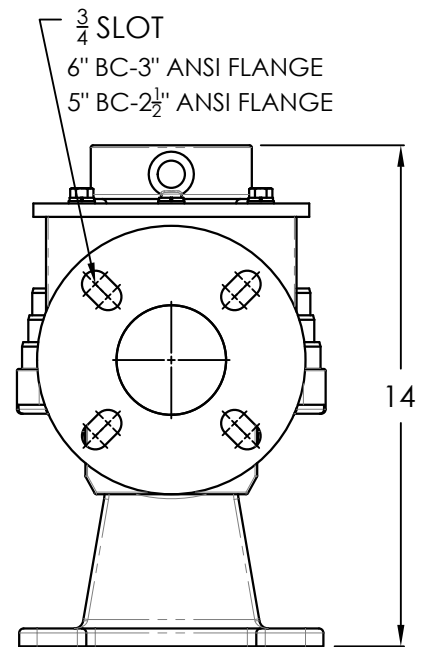
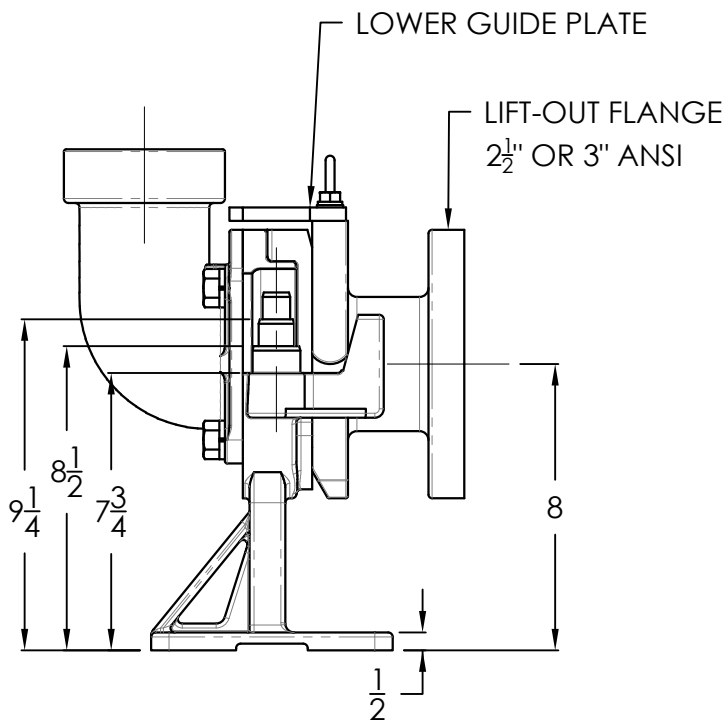
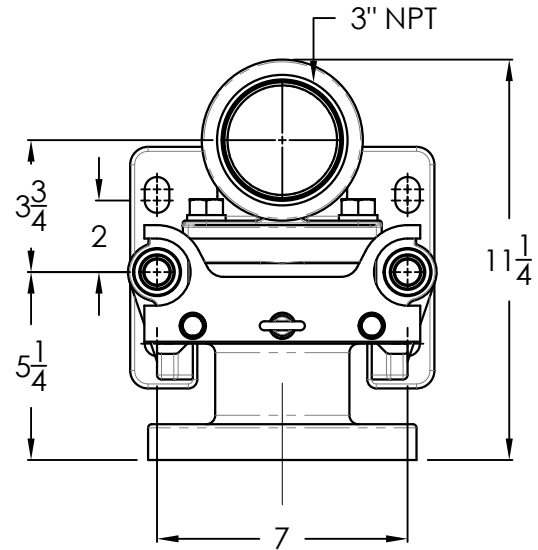
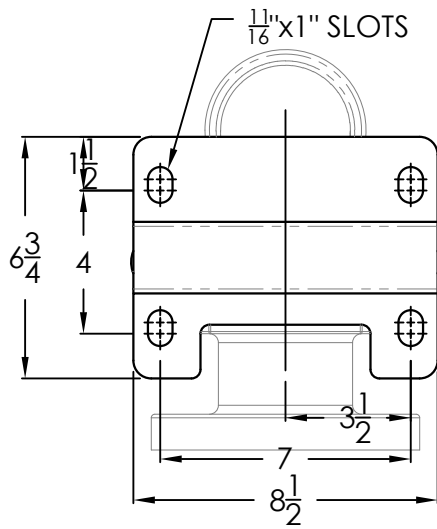
3" HORIZONTAL



www.FloProProducts.com

MODELS: FPBEA300H

BASE ELBOW ASSEMBLY



MAX PUMP WEIGHT: 400 LBS
SHIPPING WEIGHT: 66 LBS

MATERIAL COMPOSITION

BASE ELBOW: 65-45-12 CAST DUCTILE IRON
LIFT-OUT FLANGE: 65-45-12 CAST DUCTILE IRON
LOWER GUIDE PLATE: 304 STAINLESS STEEL
ALL HARDWARE IS 304 STAINLESS STEEL