

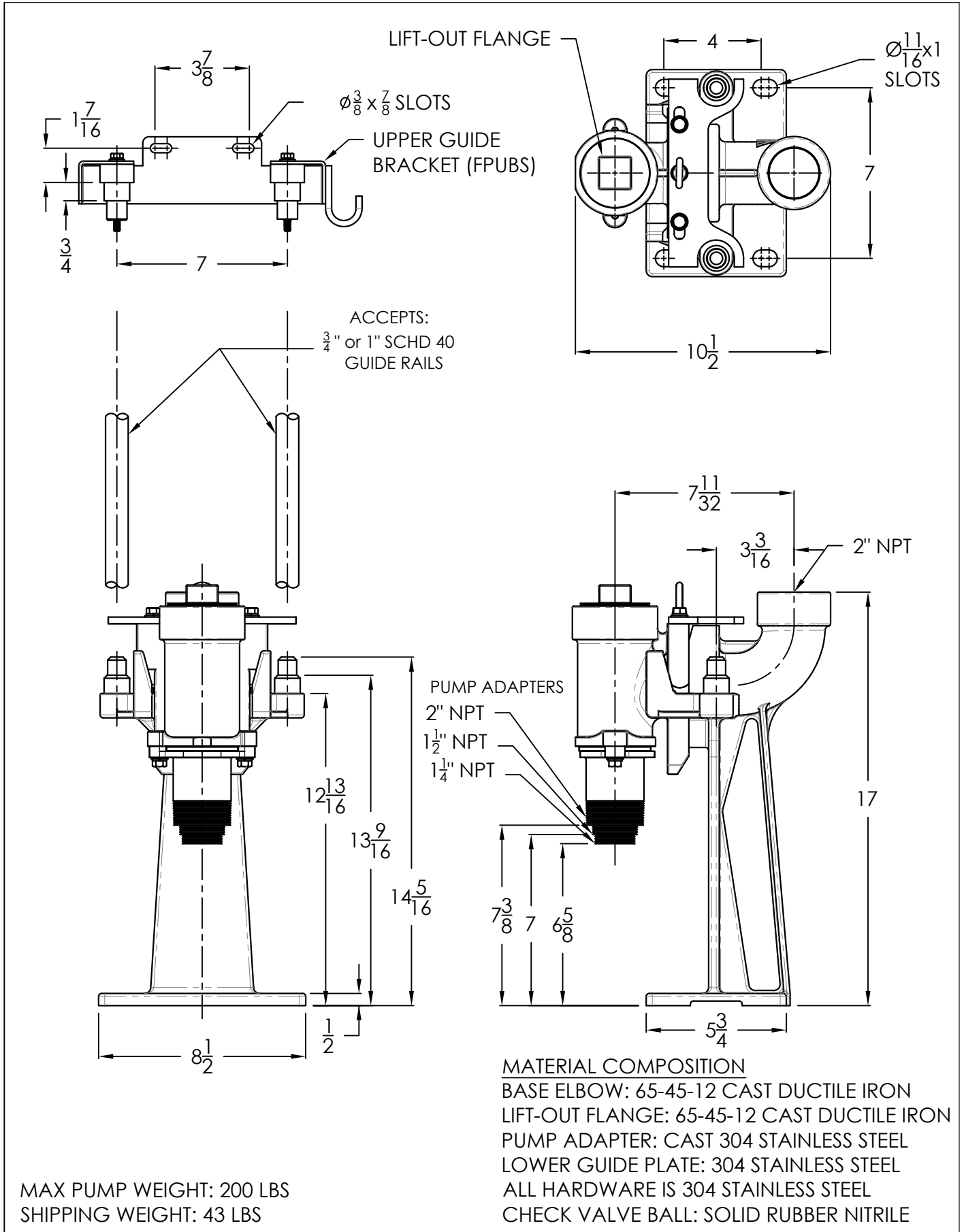
1 1/4", 1 1/2" & 2" CHECK VALVE



MODELS: FPBEA125CV, FPBEA150CV, FPBEA200CV

www.FloProProducts.com

BASE ELBOW ASSEMBLY WITH INTEGRAL CHECK VALVE



MAX PUMP WEIGHT: 200 LBS
SHIPPING WEIGHT: 43 LBS